

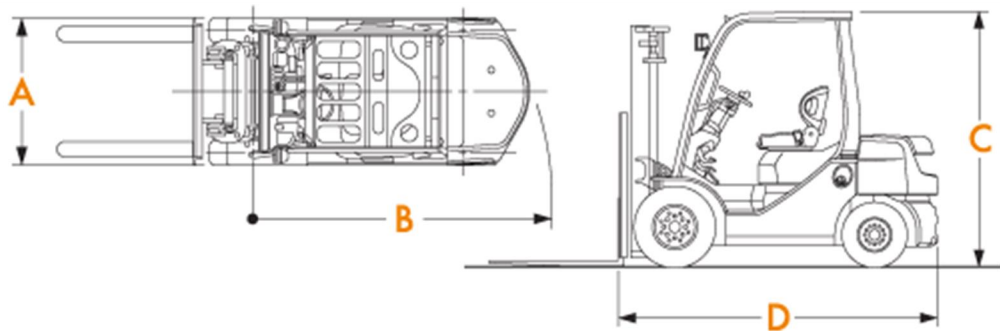
# MODEL VARIATION



# MAIN SPECIFICATIONS

Model		8FG10	8FG15	8FG18*	8FGK20*	8FG20	8FGK25*	8FG25	8FGK30*	8FG30	8FGJ35
		8FD10	8FD15	8FD18*	8FDK20*	8FD20	8FDK25*	8FD25	8FDK30*	8FD30	8FDJ35
Engine Model		4Y 1DZ-II	4Y 1DZ-II	4Y 1DZ-II	4Y 1DZ-II	4Y 1DZ-II, 2Z	4Y 1DZ-II	4Y 1DZ-II, 2Z	4Y 1DZ-II	4Y 1DZ-II, 2Z	4Y 2Z
Load Capacity	kg	1,000	1,500	1,750	2,000	2,000	2,500	2,500	3,000	3,000	3,500
Load Center	mm	500	500	500	500	500	500	500	500	500	500
Overall Width <sup>A</sup>	mm	1,045	1,070	1,070	1,155	1,150	1,155	1,150	1,255	1,240	1,290
Turning Radius (outside) <sup>B</sup>	mm	1,910	1,990	2,010	2,040	2,200	2,090	2,280	2,130	2,430	2,490
Overhead Guard Height <sup>C</sup>	mm	2,080	2,080	2,080	2,085	2,110	2,085	2,110	2,085	2,170	2,180
Length to Fork Face <sup>D</sup>	mm	2,240	2,290	2,310	2,380	2,560	2,445	2,635	2,520	2,795	2,865

NOTE: \*Powershift models



## ENGINE SPECIFICATIONS

Model		TOYOTA 4Y Gasoline
Piston Displacement	cc	2,237
Rated Horsepower/r.p.m.	kW	40/2,400 (43/2,600)
Rated Torque/r.p.m.	N-m	161/1,800

NOTE: ( ) for 30(32)-8FG30.8FGJ35

Model		TOYOTA 1DZ-II Diesel	TOYOTA 2Z Diesel
Piston Displacement	cc	2,486	3,469
Rated Horsepower/r.p.m.	kW	40/2,400 [44/2,600]	49/2,200
Rated Torque/r.p.m.	N-m	166/1,600	215/1,600

NOTE: [ ] for 60(62)-8FD20.25.30